



COACHMAN CARAVAN COMPANY LTD

Amsterdam Road
Sutton Fields Industrial Estate
Hull, HU7 0XF
Email: info@coachman.co.uk

www.coachman.co.uk

This brochure has been designed to provide you with basic information prior to making a purchase decision. Please refer to your dealer for additional information before you buy.

Coachman Caravan Company Limited reserves the right to, and does from time to time, alter technical specifications, prices and model ranges as materials, model improvements and conditions demand, therefore can accept no responsibility for discrepancies between these and subsequent models. Household items illustrated in the brochure (e.g. fruit and personal effects) have been used to enhance photography and are not supplied with the caravan. Limitations in the printing process may mean colours are not truly represented.

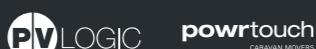
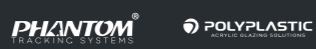
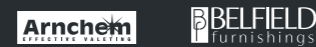
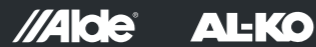
It should be noted that distributors and dealers are not the agents of Coachman Caravan Company Limited and therefore are not authorised to bind the Company by any specific or implied undertaking or representation.

All Coachman models have been certified by the National Caravan Council for compliance with stringent European Standards, British Legislation and industry set Codes of Practice, specifically relating to health and safety issues.

The approval process covers the testing and inspection of critical areas of the product from fire safety, weights and dimensions to gas, electrics and ventilation.

Every Coachman caravan carries the "NCC Approved Caravan" badge. The NCC also conducts unannounced inspections at the Coachman factory to ensure continued compliance. NCC Approval gives you peace of mind that your caravan is legal and safe.

Please note: Touring caravans are designated by the model year. The model year runs from the 1st September to the 31st August.



COACHMAN

2023 COLLECTION



02803 Designed by: Kal Group T: +44 (0)1427 610127 www.kal-group.com

TURN UP THE HEAT

Alde's wet central heating system has been meticulously planned and installed to ensure you always enjoy the optimum temperature throughout your caravan.

The radiant, hydronic central heating offers many benefits:

- It heats every part of the caravan creating a warm and inviting environment
- The glycol heating fluid circulates quietly around your caravan ensuring the least amount of disturbance
- It works off both gas and electric power sources which, can be combined when required
- Low 12V battery consumes a low amount of energy, preserving your battery life
- Pipes and radiators are mounted discreetly behind furniture, optimising available storage

Coachman have a close and established relationship with Alde. Consultation happens at every stage of the design process to ensure the most efficient heat output, ventilation and installation possible.

Coachman caravans are subject to cold chamber testing. During this process your caravan is cold soaked down to -15°C for ten hours. After this the caravan must heat up to 20°C within four hours and running water must be operational to achieve a Grade 3 pass.





RIGOROUSLY TESTED

Every single one of our caravans is meticulously quality checked at several key stages throughout the manufacturing processes.

COMPETITIVE WEIGHTS

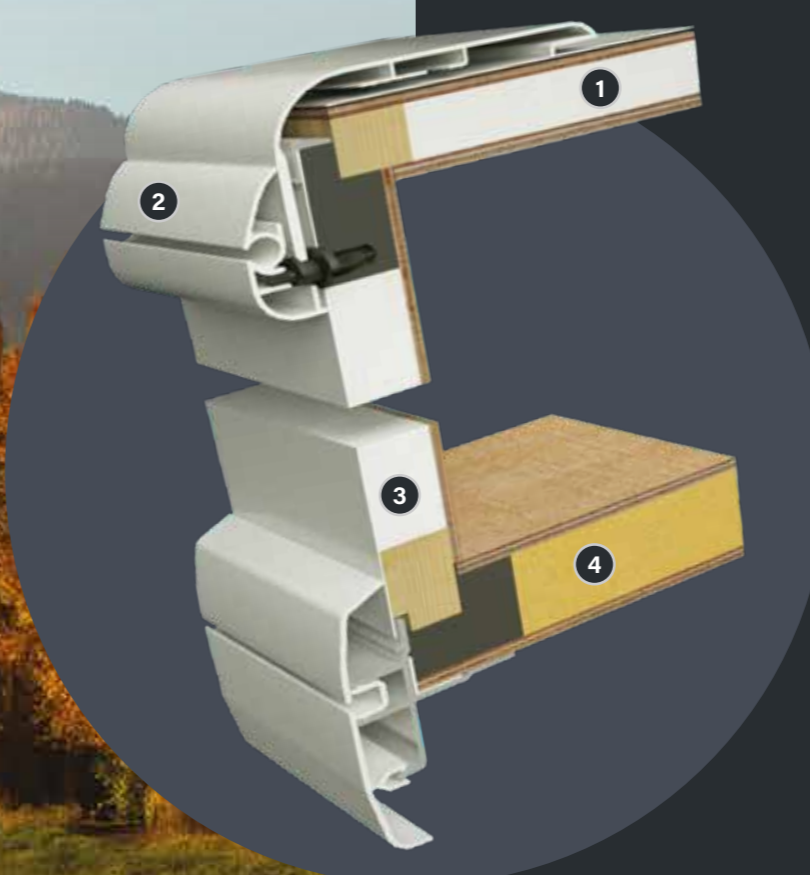
By constantly reviewing our design and manufacturing methods, we have been able to maintain competitive weights for our caravans without compromise.

WATER RESISTANT

Each Coachman is fully bonded using innovative materials, specialist adhesives and the best build techniques, virtually eliminating the threat of water ingress.

STRONG AND SEAMLESS

The strong and durable body frame is made up of a tough, Polyurethane (PU) material and uses Structural Reaction Injection Moulding (SRIM) techniques.



ADVANCED BONDED CONSTRUCTION

Advanced Bonded Technology is an important part of the Coachman design and build process. Our unique techniques ensure you receive one of the safest and most robust caravans on the market today. Every new model has to pass our fastidious and meticulous quality and safety checks.

ABC technology is a technique with a lot of history, having been developed and fine-tuned over many years. As such it benefits from the following:

1. 25mm sandwich construction roof for added strength and insulation
2. Screwless, body coloured, fully bonded awning rail to both sides
3. 25mm aluminium sandwich sidewall construction with polystyrene insulation core
4. 45mm sandwich construction floor with internal bracing for added strength



We're so confident of its effectiveness, that every Coachman comes with our ten year water ingress warranty as standard (T&Cs apply).



THE **ACADIA** RANGE

The perfect all-rounder, the 2023 Acadia is an ideal solution for couples and families who love their home comforts.

The 2023 Acadia range has four models which have been designed with both practicality and luxury in mind. Suitable for the experienced caravanner or those new to the market, these exceptional models feature functional layouts, stunning new upholstery schemes and ingenious features. The Acadia benefits from the same exceptional quality that is synonymous with any Coachman caravan.

The range features two eight-foot wide models which provide an abundance of space, perfect for families or couples who love to relax in open-planned opulence.

4

MODELS

4-5

BERTH

1-2

AXLES





WELL-APPOINTED COMFORT

New soft furnishings with co-ordinating scatter cushions and sculpted arm rests.



SEAMLESS ELEGANCE

Two-toned, curved, crank style locker doors above the living space. They also feature a twin chrome strip in 'Legno Conntatto' and 'Taupe' design.



PRACTICAL AND STYLISH

An extendable worktop complemented with a kitchen laminate splashback in 'Velvet', plus stylish polished chrome handles to all drawers.



FUNCTIONAL INNOVATION

Fixed table in dinette for extra dining space. All models come with a large, lightweight, free-standing table with a dedicated storage area as standard.

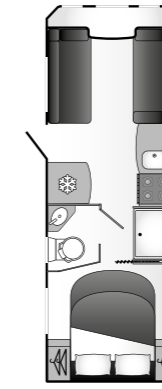
ULTRA-MODERN LIVING

Coordinated, contemporary bathroom doors in 'Legno Conntatto' design with a bathroom vanity splashback in 'Shiky' finish.

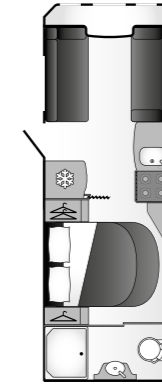


OPEN-PLANNED SPACES

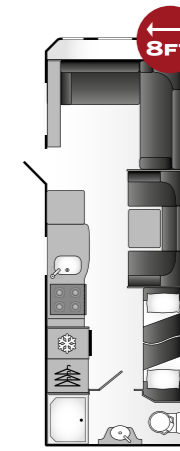
Ample wardrobe space and a sleeping area flooded with natural light, owing to a combination of side windows and large rooflights.



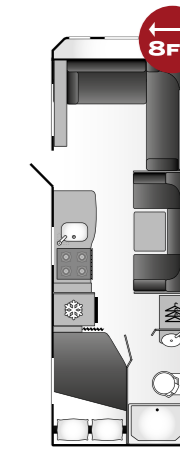
545



575



630 Xtra



660 Xtra

| | | | | |
|---|--|--|--|--|
| Number of axles | 1 | 1 | 2 | 2 |
| Number of berths | 4 | 4 | 5 | 5 |
| Interior length | 5760mm / 18' 11" | 5760mm / 18' 11" | 6265mm / 20' 7" | 6265mm / 20' 7" |
| Overall length | 7390mm / 24' 3" | 7390mm / 24' 3" | 7895mm / 25' 11" | 7895mm / 25' 11" |
| Overall width | 2260mm / 7' 5" | 2260mm / 7' 5" | 2440mm / 8' 0" | 2440mm / 8' 0" |
| Overall height (including TV aerial) | 2650mm / 8' 8" | 2650mm / 8' 8" | 2650mm / 8' 8" | 2650mm / 8' 8" |
| Maximum headroom | 1955mm / 6' 5" | 1955mm / 6' 5" | 1955mm / 6' 5" | 1955mm / 6' 5" |
| Tyre size | 195/70 R15 104 | 195/70 R15 104 | 185/70 R14 88 | 185/70 R14 88 |
| Bed sizes | Front double 6' 7" x 4' 5" (2010mm x 1345mm) OR 2 x front singles 4' 9" x 2' 4" (1465mm x 730mm) Rear double 6' 2" x 4' 6" (1875mm x 1370mm) | Front double 6' 7" x 4' 5" (2010mm x 1345mm) OR 2 x front singles 4' 9" x 2' 4" (1465mm x 730mm) Rear double 6' 2" x 4' 6" (1875mm x 1370mm) | Front double 6' 6" x 4' 6" (1980 mm x 1370 mm) Offside middle bunk 6' 1" x 3' 4" (1870mm x 1032mm) 2 x fixed rear bunks 6' 1" x 2' 3" (1870mm x 695mm) | Front double 6' 6" x 4' 6" (1980 mm x 1370 mm) Offside middle bunk 6' 1" x 3' 4" (1870mm x 1032mm) Rear double 6' 3" x 4' 4" (1900mm x 1320mm) |
| MTPLM | 1585kg / 31.2cwt | 1560kg / 30.7cwt | 1780kg / 35cwt | 1785kg / 35.1cwt |
| Mass in running order | 1430kg / 28.1cwt | 1405kg / 27.7cwt | 1610kg / 31.7cwt | 1615kg / 31.8cwt |
| Personal payload | 155kg / 3.1cwt | 155kg / 3.1cwt | 170kg / 3.3cwt | 170kg / 3.3cwt |
| Upper MTPLM (optional weight plate upgrade) | 1600kg | 1600kg | 1900kg | 1900kg |

Note:- Please consult your dealer for terms and conditions regarding a weight plate upgrade to the upper MTPLM.



THE *VIP* RANGE

The best-selling VIP range provides comfort and security wherever you are, making these ingenious models the perfect travelling companion

Whether you're planning a staycation or a longer trip away, the VIP range has everything you could need for a perfect, memorable vacation. Features for 2023 include 3D exterior graphics and improved, well-thought out living spaces.

Choice is key with the VIP range. Models are built on single and double axles with a selection of different layouts to fit around your needs. Kitchens and bathrooms have been redesigned in the 'Tibero' and 'Platino' finish, adding to the feeling of light and airy, open-planned living.

6

MODELS

2-4

BERTH

1-2

AXLE





LUXURIOUS FABRICS

Neutral-toned soft furnishings as standard, premium fabrics with superior sprung construction.



STATE-OF-THE-ART TECHNOLOGY

An integrated mobile phone charging unit, suitable for iPhone 8 & Samsung 7 models and above, as standard.



EYE-CATCHING DESIGN

Wider upper locker doors in stylish 'Sabbia' acrylic design, with soft close hinges and positive catches to main kitchen drawers.



ENTERTAIN WITH EASE

Dometic 10.5 XT series, 98 litre, universal handed electronic fridge freezer (model specific).

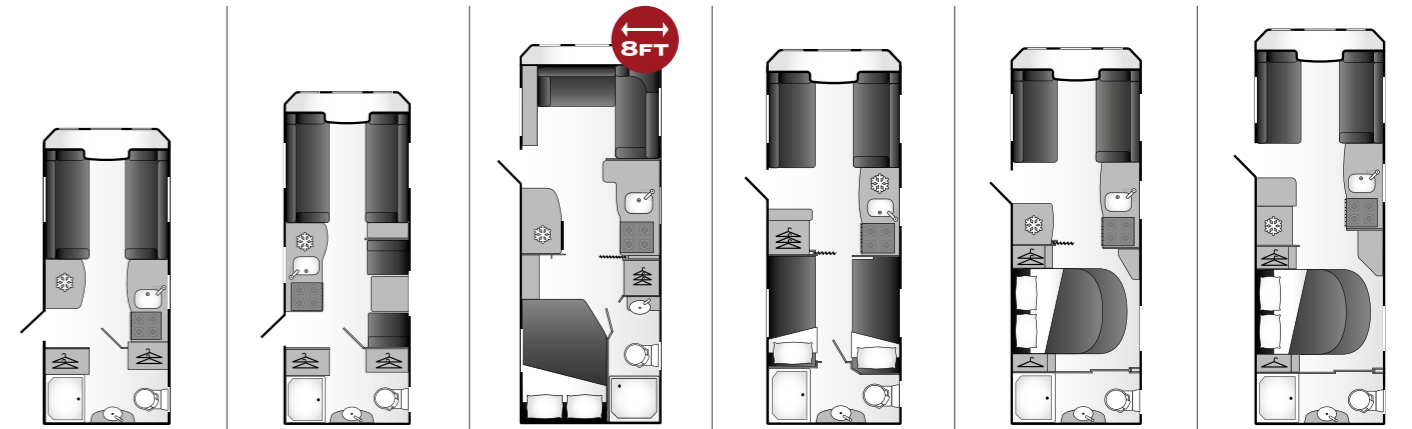
PRACTICAL AND OPULENT

Contemporary, two-toned, crank style locker doors in 'Tibero' and 'Platino' finish to the lounge and bedroom with soft close hinges.



CHIC AND FABULOUS

Stylish vanity unit. Adjustable lighting and extra sockets so you can get ready for those memorable nights out.



460

520

540 Xtra

565

575

675

| | | | | | | |
|---|---|---|---|--|---|---|
| Number of axles | 1 | 1 | 1 | 1 | 1 | 2 |
| Number of berths | 2 | 3 | 4 | 4 | 4 | 4 |
| Interior length | 4750mm / 15' 7" | 5420mm / 17' 9" | 5800mm / 19' 0" | 5740mm / 18' 10" | 5800mm / 19' 0" | 6265mm / 20' 7" |
| Overall length | 6380mm / 20' 11" | 7050mm / 23' 2" | 7430mm / 24' 5" | 7370mm / 24' 2" | 7430mm / 24' 5" | 7895mm / 25' 11" |
| Overall width | 2310mm / 7' 7" | 2310mm / 7' 7" | 2440mm / 8' 0" | 2310mm / 7' 7" | 2310mm / 7' 7" | 2310mm / 7' 7" |
| Overall height (including TV aerial) | 2650mm / 8' 8" | 2650mm / 8' 8" | 2650mm / 8' 8" | 2650mm / 8' 8" | 2650mm / 8' 8" | 2650mm / 8' 8" |
| Maximum headroom | 1955mm / 6' 5" | 1955mm / 6' 5" | 1955mm / 6' 5" | 1955mm / 6' 5" | 1955mm / 6' 5" | 1955mm / 6' 5" |
| Tyre size | 185 R14 104 | 185 R14 104 | 205/70 R15 106 | 195/70 R15 104 | 195/70 R15 104 | 185/70 R14 88 |
| Bed sizes | Front double 6' 9" x 5' 8" (2075mm x 1720mm) OR 2 x front singles 6' 0" x 2' 4" (1845mm x 730mm) | Front double 6' 9" x 5' 8" (2075mm x 1720mm) OR 2 x front singles 6' 0" x 2' 4" (1845mm x 730mm) Offside middle bunk 6' 0" x 2' 4" (1845mm x 730mm) | Front double 6' 6" x 4' 6" (1980mm x 1370mm) Rear double 6' 3" x 4' 4" (1900mm x 1320mm) | Front double 6' 9" x 4' 7" (2075mm x 1390mm) OR 2 x front singles 4' 11" x 2' 4" (1505mm x 730mm) 2 x rear fixed singles 6' 3" x 2' 4" (1900mm x 730mm) 6' 0" x 2' 4" (1845mm x 730mm) | Front double 6' 9" x 4' 7" (2075 mm x 1390 mm) OR 2 x front singles 4' 11" x 2' 4" (1505mm x 730mm) Rear double 6' 2" x 4' 6" (1875mm x 1370mm) | Front double 6' 9" x 4' 7" (2075mm x 1390mm) OR 2 x front singles 4' 11" x 2' 4" (1505mm x 730mm) Rear double 6' 2" x 4' 6" (1875mm x 1370mm) |
| MTPLM | 1444kg / 28.4cwt | 1524kg / 30cwt | 1700kg / 33.5cwt | 1652kg / 32.5cwt | 1642kg / 32.3cwt | 1810kg / 35.6cwt |
| Mass in running order | 1319kg / 26cwt | 1382kg / 27.2cwt | 1544kg / 30.4cwt | 1497kg / 29.5cwt | 1486kg / 29.3cwt | 1650kg / 32.5cwt |
| Personal payload | 125kg / 2.4cwt | 142kg / 2.8cwt | 156kg / 3.1cwt | 155kg / 3.1cwt | 156kg / 3.1cwt | 160kg / 3.1cwt |
| Upper MTPLM (optional weight plate upgrade) | 1500kg | 1550kg | 1800kg | 1700kg | 1700kg | 2000kg |

Note:- Please consult your dealer for terms and conditions regarding a weight plate upgrade to the upper MTPLM.

THE *LASER* RANGE

The Laser range is the epitome of high-class living. Holiday in style with these magnificent, well-appointed caravans available in four layouts.

The Laser range has become synonymous with caravanning luxury and is one of our most popular, well appointed and impressive ranges with four models to choose from.

The Laser range has a choice of bed layouts, a whole new modern colour palate for the upholstery, ambient mood lighting and external 3D graphics which complement the silver sides. If you're looking for that bit extra from your caravan then the Laser range is for you.



4 MODELS | **3-4** BERTH | **1-2** AXLES



SPACIOUS RESOLUTIONS

Dometic 10T series 153 litre electronic fridge freezer, a new kitchen extractor fan and a new mini rooflight in the kitchen.



CONTEMPORARY LIVING

Soft furnishings with coordinating scatter cushions and sculpted armrests in a contemporary grey palette.



FLAWLESS DESIGN

Kitchen splashback in 'Palladio' design sits alongside 'Sabbia' acrylic upper locker doors and re-engineered individually lit pan drawers with soft close hinges.



EXTENSIVE KITCHEN

Kitchen design with increased workspace, deeper cupboards and a larger lift-up kitchen worktop extension.

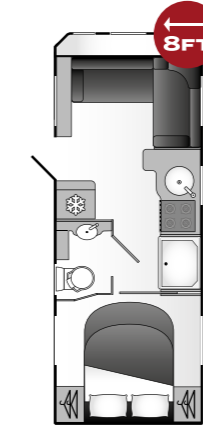
AMBIENT LIGHTING

LED reading spotlights with touch controls and night-light setting. Also included is 100% low energy LED lighting throughout.

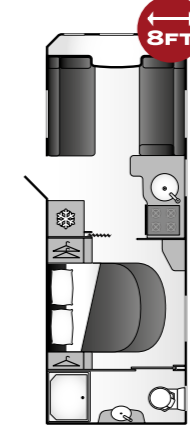


INTELLIGENT THINKING

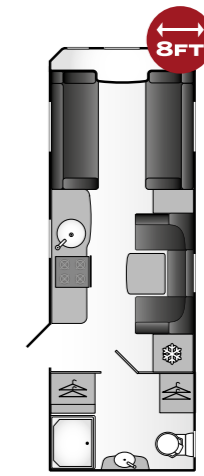
Contemporary dual coloured vanity bowl and bathroom vanity top in 'Shiky' design.



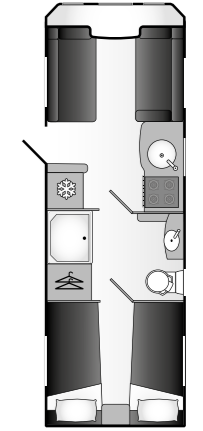
545 Xtra



575 Xtra



620 Xtra



665

| | | | | |
|---|---|---|--|--|
| Number of axles | 1 | 1 | 2 | 2 |
| Number of berths | 4 | 4 | 3 | 4 |
| Interior length | 5800mm / 19' 0" | 5800mm / 19' 0" | 6265mm / 20' 7" | 6265mm / 20' 7" |
| Overall length | 7430mm / 24' 5" | 7430mm / 24' 5" | 7895mm / 25' 11" | 7895mm / 25' 11" |
| Overall width | 2440mm / 8' 0" | 2440mm / 8' 0" | 2440mm / 8' 0" | 2310mm / 7' 7" |
| Overall height (including TV aerial) | 2650mm / 8' 8" | 2650mm / 8' 8" | 2650mm / 8' 8" | 2650mm / 8' 8" |
| Maximum headroom | 1955mm / 6' 5" | 1955mm / 6' 5" | 1955mm / 6' 5" | 1955mm / 6' 5" |
| Tyre size | 205/70 R15 106 | 205/70 R15 106 | 185/70 R14 88 | 185/70 R14 88 |
| Bed sizes | Front double 6' 6" x 4' 6" (1980mm x 1370mm) Rear double 6' 2" x 4' 8" (1875mm x 1425mm) | Front double 7' 2" x 4' 7" (2200mm x 1390mm) OR 2 x front singles 4' 11" x 2' 4" (1505mm x 730mm) Rear double 6' 2" x 4' 6" (1875mm x 1370mm) | Front double 7' 2" x 5' 8" (2200mm x 1720mm) OR 2 x front singles 6' 0" x 2' 4" (1845mm x 730mm) Offside middle bunk 6' 1" x 3' 4" (1870mm x 1032mm) | Front double 6' 9" x 4' 7" (2075mm x 1390mm) OR 2 x front singles 4' 11" x 2' 4" (1505mm x 730mm) 2 x rear fixed singles 6' 3" x 2' 7" (1900mm x 800mm max.) |
| MTPLM | 1734kg / 34.1cwt | 1734kg / 34.1cwt | 1875kg / 36.9cwt | 1828kg / 36cwt |
| Mass in running order | 1579kg / 31.1cwt | 1579kg / 31.1cwt | 1725kg / 34cwt | 1668kg / 32.8cwt |
| Personal payload | 155kg / 3.1cwt | 155kg / 3.1cwt | 150kg / 3cwt | 160kg / 3.1cwt |
| Upper MTPLM (optional weight plate upgrade) | 1800kg | 1800kg | 2000kg | 1900kg |

Note:- Please consult your dealer for terms and conditions regarding a weight plate upgrade to the upper MTPLM.



THE *LASER XCEL* RANGE

Holiday in the height of luxury with the spacious eight-foot wide 2023 Laser Xcel range. Perfect for a long weekend or grand tour. You choose!

The exclusive eight-foot Laser Xcel range is the perfect solution for those who don't want to compromise when it comes to spacious living and luxury.

All four models have island beds with large bathrooms off the bedroom areas, so you really do get an en-suite feel in these exquisite caravans. Enhancements to the overall décor, upgraded furnishings and high specification dual coloured cabinets ensure that these models are real showstoppers when it comes to style, elegance and luxury.

4

MODELS

4

BERTH

2

AXLES





SUPERIOR DECOR

Soft furnishings featuring higher and more supportive backrests with coordinating scatter cushions and sculpted armrests.



TURN UP THE HEAT

Alde wet central heating and hot water system with integrated pump and iNet ready programmable LCD touch screen control panel.



DINING IN STYLE

Coordinating flush fitting acrylic housing unit for the microwave oven, kitchen splashback in 'Palladio' design and a new midi rooflight.



TECHNOLOGICALLY ADVANCED

Full-length Dometic 10T series 153 litre electronic fridge freezer with dual handed door mechanism.

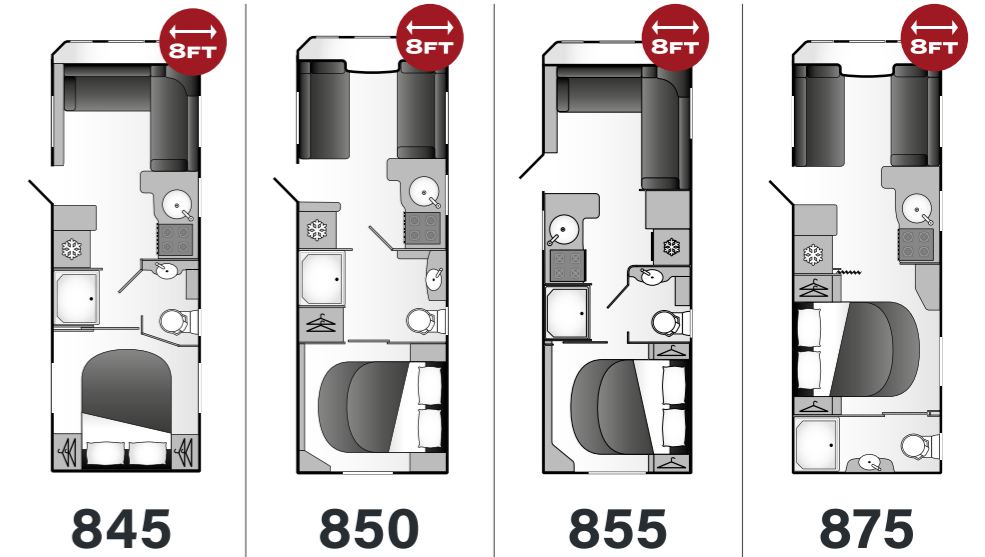
WELL-APPOINTED BATHROOMS

A well-appointed, fully lined shower cubicle with built in contrast panel, LED downlight and bi-fold door.



CLEAN, ELEGANT DESIGN

Bathroom vanity worktops in 'Shiky' design with a dual coloured bathroom vanity bowl.



| | | | | |
|---|---|---|---|---|
| Number of axles | 2 | 2 | 2 | 2 |
| Number of berths | 4 | 4 | 4 | 4 |
| Interior length | 6265mm / 20' 7" | 6265mm / 20' 7" | 6265mm / 20' 7" | 6265mm / 20' 7" |
| Overall length | 7895mm / 25' 11" | 7895mm / 25' 11" | 7895mm / 25' 11" | 7895mm / 25' 11" |
| Overall width | 2440mm / 8' 0" | 2440mm / 8' 0" | 2440mm / 8' | 2440mm / 8' 0" |
| Overall height (including TV aerial) | 2650mm / 8' 8" | 2650mm / 8' 8" | 2650mm / 8' 8" | 2650mm / 8' 8" |
| Maximum headroom | 1955mm / 6' 5" | 1955mm / 6' 5" | 1955mm / 6' 5" | 1955mm / 6' 5" |
| Tyre size | 185/70 R14 88 | 185/70 R14 88 | 185/70 R14 88 | 185/70 R14 88 |
| Bed sizes | Front double 6' 6" x 4' 6" (1980mm x 1370mm) Rear double 6' 2" x 4' 8" (1875mm x 1425mm) | Front double 7' 2" x 4' 7" (2200mm x 1390mm) OR 2 x front singles 4' 11" x 2' 4" (1505mm x 730mm) Rear double 6' 2" x 4' 6" (1875mm x 1370mm) | Front double 6' 6" x 4' 6" (1980mm x 1370mm) Rear double 6' 2" x 4' 6" (1875mm x 1370mm) | Front double 7' 2" x 4' 7" (2200mm x 1390mm) OR 2 x front singles 4' 11" x 2' 4" (1505mm x 730mm) Rear double 6' 2" x 4' 6" (1875mm x 1370mm) |
| MTPLM | 1910kg / 37.6cwt | 1910kg / 37.6cwt | 1950kg / 38.4cwt * | 1885kg / 37.1cwt |
| Mass in running order | 1750kg / 34.4cwt | 1750kg / 34.4cwt | 1790kg / 35.2cwt * | 1725kg / 34cwt |
| Personal payload | 160kg / 3.1cwt | 160kg / 3.1cwt | 160kg / 3.1cwt | 160kg / 3.1cwt |
| Upper MTPLM (optional weight plate upgrade) | 2000kg | 2000kg | 2000kg | 2000kg |

Note:- Please consult your dealer for terms and conditions regarding a weight plate upgrade to the upper MTPLM. * Estimated weight.



THE L U S S O RANGE

The Lusso is the most luxurious touring caravan Coachman has ever produced.

The Lusso is considered the best-of-the-best when it comes to the caravanning experience. This season sees a choice of either a single or double axle variant with the Lusso I and Lusso II respectively. These superior models have been designed to provide spacious living and luxury.

Features for 2023 include a spacious L-shaped living area and Truma Comfort Air Conditioning as standard.



2

MODELS

4

BERTH

1-2

AXLES



RELAXING IN STYLE

Spacious L-shaped front lounge seating with superior sprung upholstery and coordinating scatter cushions.



CONTEMPORARY KITCHENS

Full length slimline Dometic 10.4T series 133 litre electronic fridge freezer with universal handle door mechanism (Lusso I).



SPACIOUS INNOVATIONS

Larger lift up kitchen worktop extension. Deep pull-out chrome baskets to lower kitchen cupboards.



INTEGRATED SOLUTIONS

'Bianca' acrylic glass overhead locker doors with domestic soft close hinge mechanism and microwave oven with matching flush fitting housing unit.

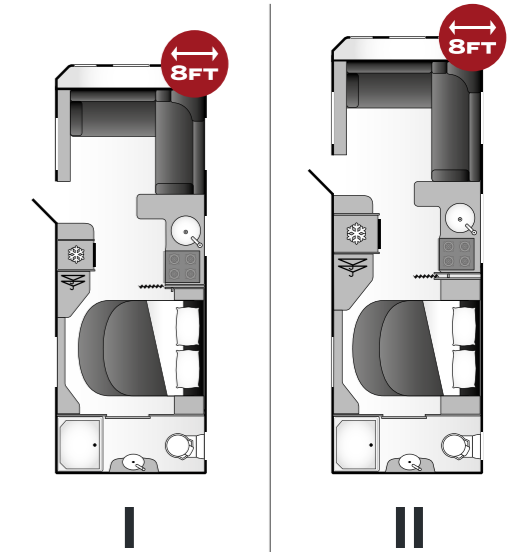
SHOWER LIKE ROYALTY

Luxurious domestic style square shower cubicle with built in contrast panel, chrome waste, storage, LED downlight and pivot door.



THE PERFECT TEMPERATURE

Truma air conditioning system with integrated heat pump throughout the living and sleeping areas.



| | | |
|--|---|---|
| Number of axles | 1 | 2 |
| Number of berths | 4 | 4 |
| Interior length | 5800mm / 19' 0" | 6265mm / 20' 7" |
| Overall length | 7430mm / 24' 5" | 7895mm / 25' 11" |
| Overall width | 2440mm / 8' 0" | 2440mm / 8' 0" |
| Overall height (including air conditioning unit) | 2750mm / 9' 0" | 2750mm / 9' 0" |
| Maximum headroom | 1955mm / 6' 5" | 1955mm / 6' 5" |
| Tyre size | 205/70 R15 106 | 185/70 R14 88 |
| Bed sizes | Front double 6' 6" x 4' 6" (1980mm x 1370mm) Rear double 6' 2" x 4' 6" (1875mm x 1370mm) | Front double 6' 6" x 4' 6" (1980mm x 1370mm) Rear double 6' 2" x 4' 6" (1875mm x 1370mm) |
| MTPLM | 1829kg / 36.0cwt * | 1960kg / 38.6cwt |
| Mass in running order | 1674kg / 32.9cwt * | 1800kg / 35.4cwt |
| Personal payload | 155kg / 3.1cwt * | 160kg / 3.1cwt |
| Upper MTPLM (optional weight plate upgrade) | 1900kg * | 2000kg |

Note:- Please consult your dealer for terms and conditions regarding a weight plate upgrade to the upper MTPLM.
* Estimated weight.